

KRYPTON

LED 24Vdc Magnetic track light

KRYPTON

LED 24Vdc Magnetic track light

LED Track Light



Product advantage

Magnetic track spot light available with ultra-thin magnetic track system. Simple and efficiency design makes better visual effect while keep high lighting efficiency.

Application area: retail, museums, galleries, showroom

Product feature

Die-casting body provide good heat dissipation.

Narrow trim and mini size in 50mm diameter.

Dimming option: On-off / DALI / Wireless / Bluetooth

Color



Black

Optional Accessories



Honeycomb louver
- for KR MINI 403K107.10



Honeycomb louver
- for KR MICRO 403K106.10



Striated glass 402K111.00

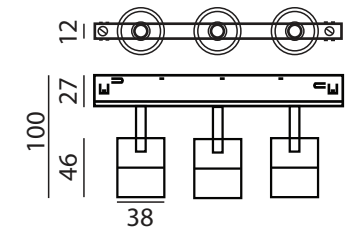
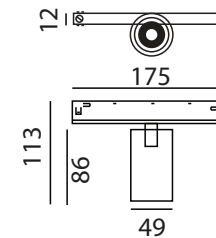


Textured glass 402K110.00

Code

KR 24V MINI

KR 24V MICRO 3



Name	Code	Light source	CRI	CCT	LED Power	Louminus flux	Beam Angle °
KR 24V MINI	176K118.10	COB	>90	3000	8W	450lm	37°
KR 24V MICRO 3	176K120.10	COB	>90	3000	3×5W	650lm	40°
	176K119.10	COB	>90	3000	3×5W	650lm	20°

KRYPTON

LED 24Vdc Magnetic track light

LED Track Light



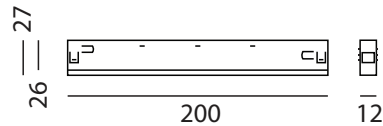
Product advantage

Linear Magnetic Light
Ultra-thin body 12mm with magnetic rail
Many dimming options

Product feature

12mm ultra-thin lamp body
Super luminous efficiency
Flicker free
Dimming type: On-Off / DALI / Wireless / Bluetooth

Code KR 24V DOT LINE



Color



Black

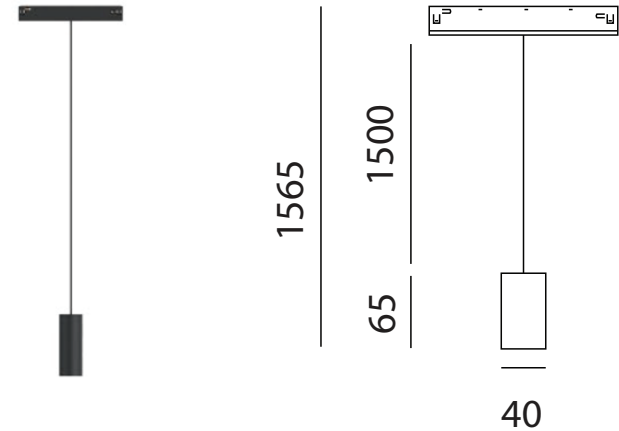
Product advantage

Magnetic Pendant Light
Dapper lamp body with ultra-thin magnetic rail
Many dimming options

Product feature

Aluminium alloy body
Mini design
Low glare rating
Flicker free
Dimming type: On-Off / DALI / Wireless / Bluetooth

Code KR 24V MINI



Name	Code	Light source	CRI	CCT	LED Power	Louminus flux	Beam Angle °
KR 24V DOT LINE	176K121.10	COB	>90	3000	5W	580lm	30°
KR 24V MINI S	176K225.10	COB	>90	3000	8W	350lm	24°

KRYPTON

LED 24Vdc Magnetic track light

LED Track Light



Product advantage

Driver built-in track spot light
Simple and efficiency design makes better visual effect while keep high lighting efficiency

Product feature

Integrated lamp body and heat sink provide good heat dissipation.
Diffuser options: Opal / Transparent
Dimming option: On-off / DALI / Wireless / Bluetooth

Color



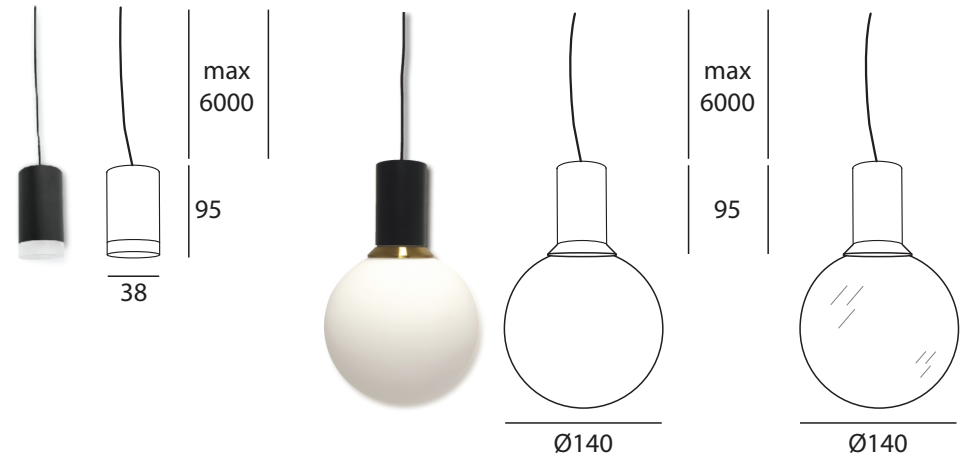
Black

Optional Accessories

- White Acrylic diffuser
- Transparent glass
- White Opal glass

Code

Ruby Acrylic diffuser **Ruby** Opal glass diffuser **Ruby** Transparent glass diffuser



Name	Light source	Nominal voltage	CRI	CCT	LED Power	Luminous flux
Ruby - Acrylic diffuser	COB	24VDC	>90	2700K 3000K 4000K	7W	513lm 525lm 547lm
Ruby - Opal glass diffuser	COB	24VDC	>90	2700K 3000K 4000K	7W	513lm 525lm 547lm
Ruby - Transparent glass diffuser	COB	24VDC	>90	2700K 3000K 4000K	7W	598lm 612lm 631lm

KRYPTON

LED 24Vdc Magnetic track light

LED Track Light



Product advantage

Driver built-in track spot light
Simple and efficiency design makes better visual effect while keep high lighting efficiency

Product feature

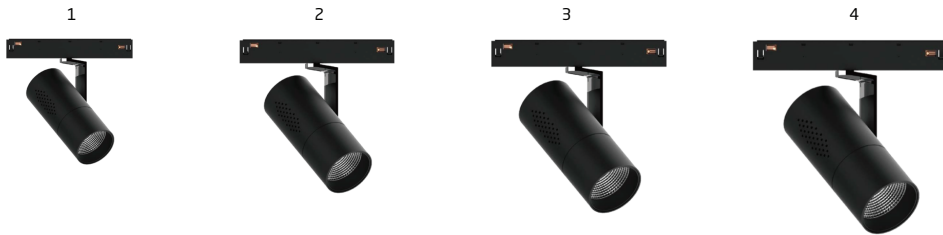
Integrated lamp body and heat sink provide good heat dissipation.
Multiple luminaire accessories options per request
Anti-glare design
Dimming option: On-off / DALI / Wireless / Bluetooth

Product advantage

Magnetic track spot light
Simple and efficiency design makes better visual effect while keep high lighting efficiency.

Product feature

Integrated lamp body and heat-sink provide good heat dissipation.
Multiple luminaire accessories options per request.
355° rotation and 90°tilting, anti-glare design
Dimming options: On-off / DALI / Wireless / Bluetooth



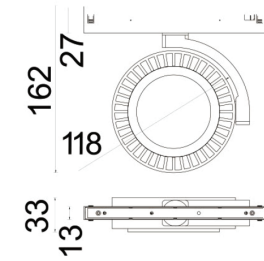
Type	Light source	CRI	LED Power	CCT	Louminus flux	Beam Angle °
1	COB	>80	10W	3000K 4000K 6000K	1530lm 1560lm 1580lm	20°/40°/60°
2	COB	>80	20W	3000K 4000K 6000K	2550lm 2600lm 2630lm	12°/24°/40°/60°
3	COB	>80	5W	3000K 4000K 6000K	2970lm 3040lm 3060lm	13° - 50°
4	COB	>80	7W	3000K 4000K 6000K	2970lm 3040lm 3060lm	13° - 50°

Color



Optional Accessories

- Ordinary ring
- Transparent front ring
- Cross shaped front ring
- Anti glare front ring
- Oblique shaped front ring



Light source	CRI	LED Power	CCT	Louminus flux	Beam Angle °
COB	>90	25W	3000K 4000K 6000K	1530lm 1560lm 1580lm	10°/15°/24°

Color



KRYPTON

LED 24Vdc Magnetic track light



KRYPTON

LED Track Light



LED 24Vdc Magnetic track light
Recessed track



LED 24Vdc Magnetic track light
Surface mounted track



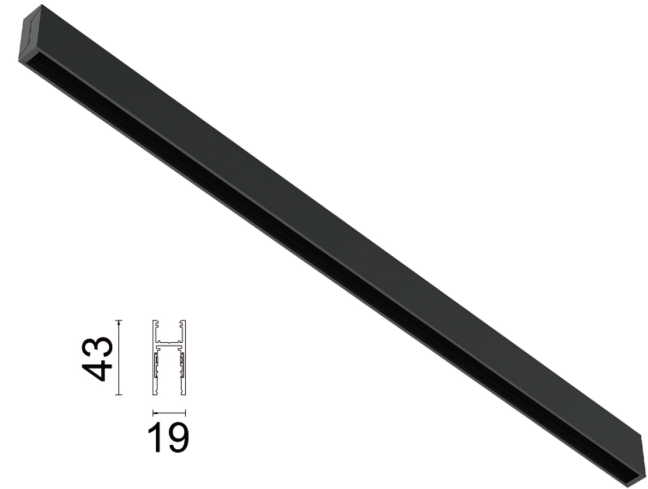
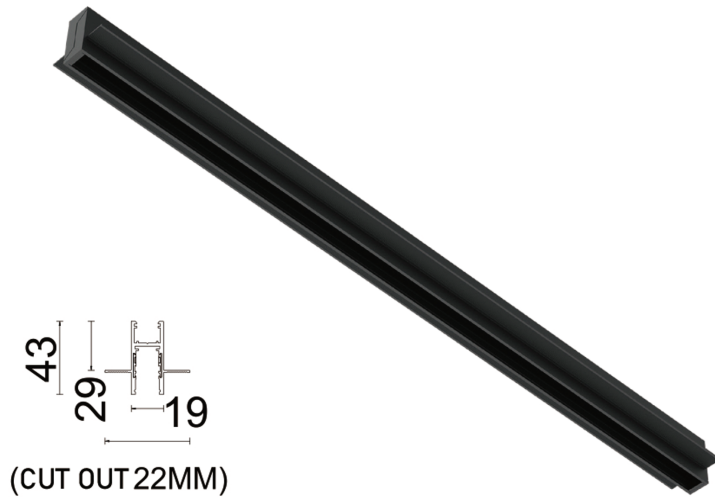
KRYPTON

LED Track Light



LED 24Vdc Magnetic track light
Recessed track

LED 24Vdc Magnetic track light
Surface mounted track



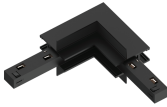
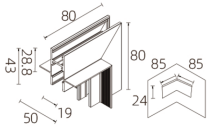

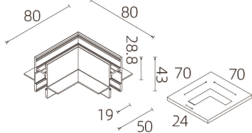
Tracks

Name	Code	Material	Color	Dimension
24Vdc recessed magnetic track	401K158.10	Aluminium	black	1000mm
24Vdc recessed magnetic track	401K159.10	Aluminium	black	2000mm

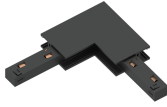
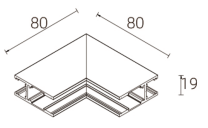

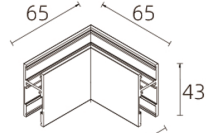
Tracks

Name	Code	Material	Color	Dimension
24Vdc surface mounted track	401K165.10	Aluminium	black	1000mm
24Vdc surface mounted track	401K166.10	Aluminium	black	1500mm


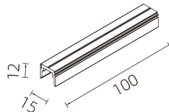

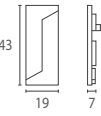


LED 24Vdc Magnetic track light Recessed track connectors

Name	Code	Material	Color
Inner vertical L connector	401K160.10	Aluminium	black
			
Horizontal L connector	401K161.10	Aluminium	black
			


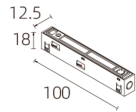

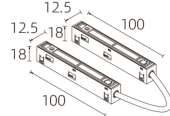
LED 24Vdc Magnetic track light Surface mounted track connectors

Name	Code	Material	Color
Inner vertical L connector	401K167.10	Aluminium	black
			
Horizontal L connector	401K168.10	Aluminium	black
			

Accessories

Name	Code	Material	Color
Mechanical connector	401K162.10	Aluminium	black
			
End cap	401K109.10	Polycarbonate	black
			
Dust protective cap - 2m	401K112.10	Polycarbonate	black
			

Power supply

Name	Code	Material	Color
Power connector	401K163.10	Polycarbonate	black
			
Double power connector	401K164.10	Polycarbonate	black
			
Black track adapter - 3 holes	401K110.10	Polycarbonate	black
Black track adapter - 1 hole	401K111.10	Polycarbonate	black