

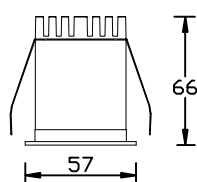
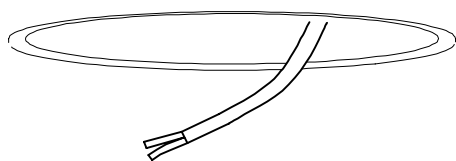
ROOKIE DEEP



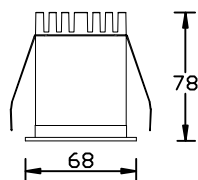
1. Switch-off the power supply before any installation and maintenance operations
2. Installation should be carried out by a suitably qualified person in accordance with good electrical practice and the appropriate national wiring regulations.
3. Connect this lighting according to voltage and frequencies mention on driver

1. Isključite napajanje prije svake instalacije i održavanja
2. Instalaciju treba izvesti odgovarajuće kvalificirana osoba u skladu s dobrom električnom praksom i odgovarajućim nacionalnim propisima ožičenja.
3. Spojite ovu rasvjetu prema naponu i frekvenciji navedenim na napajanju

1.



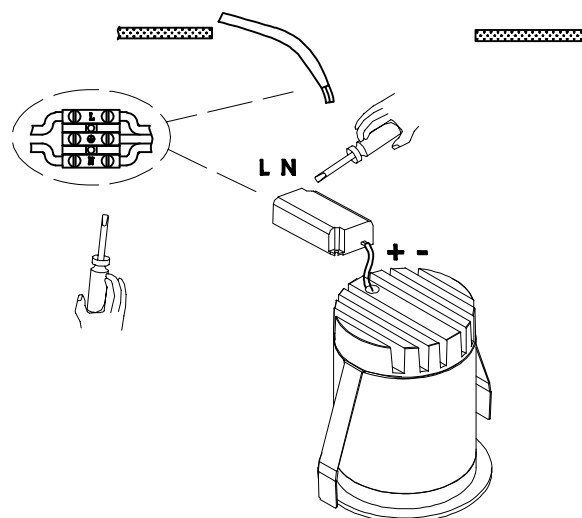
ø50



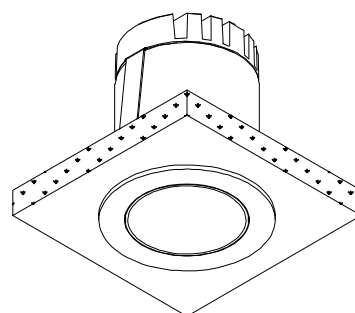
ø60

MAKE HOLE
Rookie Deep S - Ø50mm
Rookie Deep M - Ø60mm

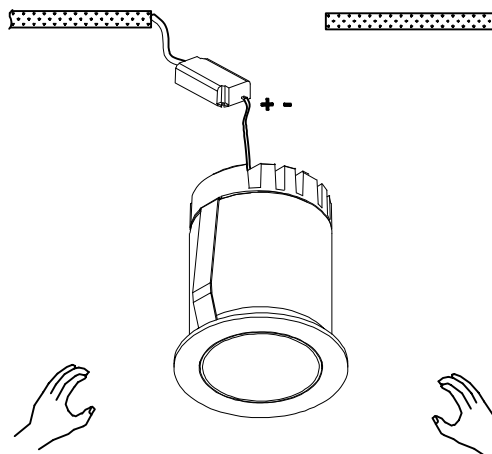
2.



3.



OK ②



①