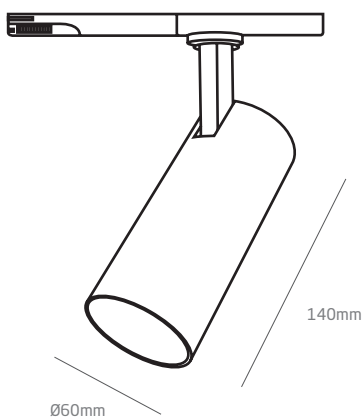




DIMENSION



PRODUCT

Name	VINDY
Barcode	176K134.10
Color	Black
Category	Track Luminaire

LIGHT SOURCE

Type	LED
Luminous flux	1260 lm
Colour temperature	3000 K
Chromatic stability	Mac Adam Step 3
Colour Rendering Index	CR195
Power	15 W
Efficacy	84 lm/W
LED lifespan	50 000h (L70B50)
Light beam angle	36°

LIGHTING FIXTURE / ELECTRICAL DATA

Driver	Included
Voltage	230V
Frequency	50/60 Hz
Dimming	Phase cut Dimmable / DALI on request
Electrical insulation class	II

OTHER DATA

Sealing	IP20
Weight	421g
Units per package	1
Material	Aluminium
Rotating / Tilting	355° / 90°

