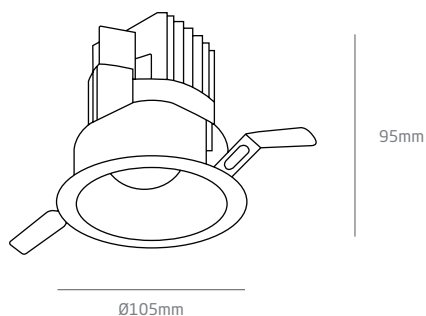




## DIMENSION



|          |                         |
|----------|-------------------------|
| Name     | ZENITH L                |
| Barcode  | 152K320.11 / 152K320.10 |
| Color    | White / Black           |
| Category | Ceiling Recessed        |

## PRODUCT

|                        |                            |
|------------------------|----------------------------|
| Type                   | LED                        |
| Luminous flux          | 1440 lm                    |
| Colour temperature     | 2700 K                     |
| Chromatic stability    | Mac Adam Step 3            |
| Colour Rendering Index | CRI 90                     |
| Power                  | 20 W                       |
| Efficacy               | 72 lm/W                    |
| LED lifespan           | 50 000h                    |
| Light beam angle       | 36° (on request: 24°, 55°) |

## LIGHT SOURCE

## LIGHTING FIXTURE / ELECTRICAL DATA

|                             |                                    |
|-----------------------------|------------------------------------|
| Driver                      | Not Included - External            |
| Voltage                     | 36 Vdc                             |
| Constant current            | 500mA                              |
| Frequency                   | 50/60 Hz                           |
| Dimming                     | ON-OFF / Phase cut Dimmable / DALI |
| Electrical insulation class | II                                 |

## OTHER DATA

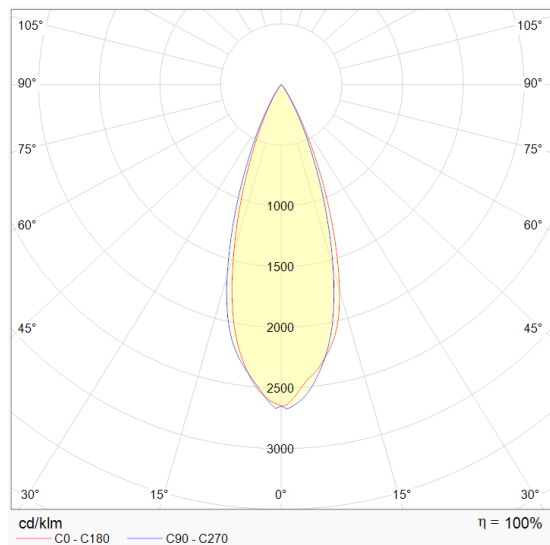
|                     |           |
|---------------------|-----------|
| Sealing             | IP20      |
| Recess measurements | Ø95mm     |
| Units per package   | 1pcs      |
| Material            | Aluminium |
| Montage type        | Trim      |
| Tiltable            | Yes       |

## ACCESSORIES

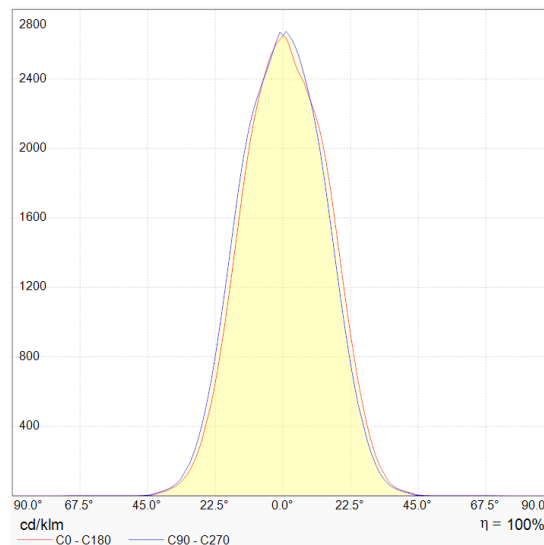
|            |                           |
|------------|---------------------------|
| 404K119.10 | Ring for trimless montage |
|------------|---------------------------|



POLAR DIAGRAM



CONICAL DIAGRAM



UNIFIED GLARE RATING - UGR

|  |                  |      |      |      |      |                |      |      |      |      |      |
|--|------------------|------|------|------|------|----------------|------|------|------|------|------|
| ceiling/cavity   | 0.7              | 0.7  | 0.5  | 0.5  | 0.3  | 0.7            | 0.7  | 0.5  | 0.5  | 0.3  |      |
| walls  | 0.5              | 0.3  | 0.5  | 0.3  | 0.3  | 0.5            | 0.3  | 0.5  | 0.3  | 0.3  |      |
| working plane  | 0.2              | 0.2  | 0.2  | 0.2  | 0.2  | 0.2            | 0.2  | 0.2  | 0.2  | 0.2  |      |
| Room dimensions  | Viewed crosswise |      |      |      |      | Viewed endwise |      |      |      |      |      |
| x = 2H y = 2H  | 10.8             | 11.6 | 11.1 | 11.7 | 11.9 | 11.6           | 12.3 | 11.8 | 12.5 | 12.6 |      |
| 3H   | 10.7             | 11.4 | 10.9 | 11.6 | 11.7 | 11.4           | 12.1 | 11.7 | 12.3 | 12.5 |      |
| 4H   | 10.6             | 11.3 | 10.9 | 11.5 | 11.7 | 11.4           | 12.0 | 11.6 | 12.2 | 12.4 |      |
| 6H   | 10.5             | 11.1 | 10.8 | 11.4 | 11.6 | 11.3           | 11.9 | 11.6 | 12.1 | 12.3 |      |
| 8H   | 10.5             | 11.1 | 10.8 | 11.3 | 11.6 | 11.2           | 11.8 | 11.5 | 12.1 | 12.3 |      |
| 12H  | 10.4             | 11.0 | 10.7 | 11.3 | 11.5 | 11.2           | 11.7 | 11.5 | 12.0 | 12.3 |      |
| 4H   | 2H               | 10.6 | 11.2 | 10.9 | 11.5 | 11.7           | 11.4 | 12.0 | 11.6 | 12.2 | 12.4 |
| 3H   | 10.4             | 11.0 | 10.7 | 11.3 | 11.5 | 11.2           | 11.7 | 11.5 | 12.0 | 12.3 |      |
| 4H   | 10.3             | 10.8 | 10.7 | 11.1 | 11.4 | 11.1           | 11.6 | 11.4 | 11.9 | 12.2 |      |
| 6H   | 10.2             | 10.7 | 10.6 | 11.0 | 11.4 | 11.0           | 11.4 | 11.4 | 11.8 | 12.1 |      |
| 8H   | 10.2             | 10.6 | 10.6 | 11.0 | 11.3 | 10.9           | 11.4 | 11.3 | 11.7 | 12.1 |      |
| 12H  | 10.1             | 10.5 | 10.5 | 10.9 | 11.3 | 10.9           | 11.3 | 11.3 | 11.6 | 12.0 |      |
| 8H   | 4H               | 10.2 | 10.6 | 10.6 | 11.0 | 11.3           | 10.9 | 11.4 | 11.3 | 11.7 | 12.1 |
| 6H   | 10.1             | 10.4 | 10.5 | 10.8 | 11.2 | 10.8           | 11.2 | 11.2 | 11.6 | 12.0 |      |
| 8H   | 10.0             | 10.3 | 10.5 | 10.7 | 11.2 | 10.8           | 11.1 | 11.2 | 11.5 | 11.9 |      |
| 12H  | 10.0             | 10.2 | 10.4 | 10.7 | 11.1 | 10.7           | 11.0 | 11.2 | 11.4 | 11.9 |      |
| 12H  | 4H               | 10.1 | 10.5 | 10.5 | 10.9 | 11.3           | 10.9 | 11.3 | 11.3 | 11.6 | 12.0 |
| 6H   | 10.0             | 10.3 | 10.5 | 10.7 | 11.2 | 10.8           | 11.1 | 11.2 | 11.5 | 11.9 |      |
| 8H   | 10.0             | 10.2 | 10.4 | 10.7 | 11.1 | 10.7           | 11.0 | 11.2 | 11.4 | 11.9 |      |
| Variations with the observer position at spacings (CIE Pub.117): |                  |      |      |      |      |                |      |      |      |      |      |
| S = 1.0H   | + 3.6 / -19.3    |      |      |      |      | + 3.7 / -19.4  |      |      |      |      |      |
| 1.5H   | + 6.4 / -18.5    |      |      |      |      | + 6.5 / -18.9  |      |      |      |      |      |
| 2.0H   | + 7.2 / - 4.8    |      |      |      |      | + 7.8 / - 5.5  |      |      |      |      |      |