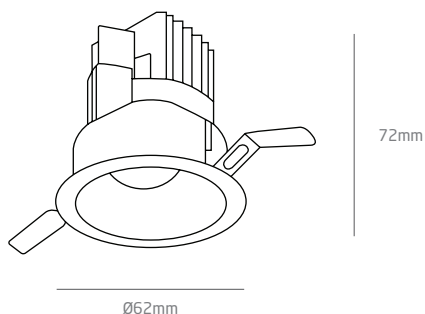




## DIMENSION



## PRODUCT

Name	ZENITH S
Barcode	152K318.11 / 152K318.10
Color	White / Black
Category	Ceiling Recessed

## LIGHT SOURCE

Type	LED
Luminous flux	400 lm
Colour temperature	2700 K
Chromatic stability	Mac Adam Step 3
Colour Rendering Index	CRI 90
Power	7 W
Efficacy	58 lm/W
LED lifespan	50 000h
Light beam angle	36° (on request: 24°, 55°)

## LIGHTING FIXTURE / ELECTRICAL DATA

Driver	Not Included - External
Voltage	36 Vdc
Constant current	150mA
Frequency	50/60 Hz
Dimming	ON-OFF / Phase cut Dimmable / DALI
Electrical insulation class	II

## OTHER DATA

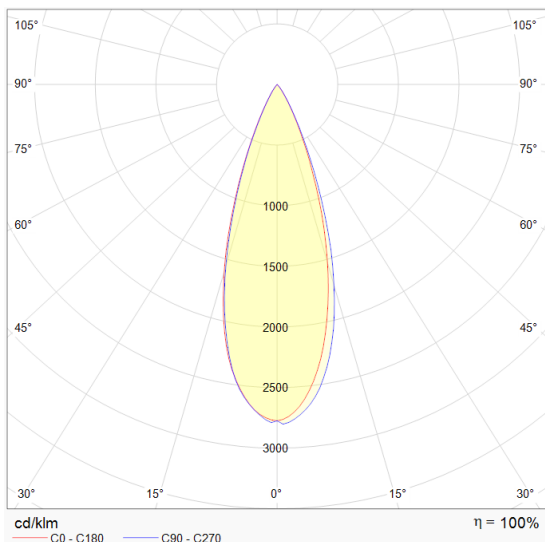
Sealing	IP20
Recess measurements	Ø55mm
Units per package	1pcs
Material	Aluminium
Montage type	Trim
Tiltable	Yes

## OTHER DATA

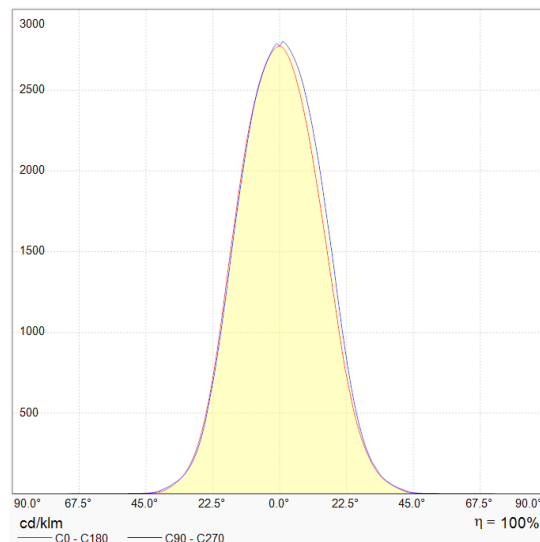
400K131.00	Ring for trimless montage
------------	---------------------------



## POLAR DIAGRAM



## CONICAL DIAGRAM



## UNIFIED GLARE RATING - UGR

ceiling/cavity	0.7	0.7	0.5	0.5	0.3	0.7	0.7	0.5	0.5	0.3
walls	0.5	0.3	0.5	0.3	0.3	0.5	0.3	0.5	0.3	0.3
working plane	0.2	0.2	0.2	0.2	0.2	0.2	0.2	0.2	0.2	0.2
Room dimensions	Viewed crosswise					Viewed endwise				
x = 2H y = 2H	9.2	9.9	9.4	10.1	10.3	10.3	11.1	10.5	11.2	11.4
3H	9.1	9.8	9.3	10.0	10.2	10.2	10.9	10.5	11.1	11.3
4H	9.0	9.7	9.3	9.9	10.1	10.1	10.8	10.4	11.0	11.2
6H	8.9	9.5	9.2	9.8	10.0	10.1	10.7	10.3	10.9	11.1
8H	8.9	9.5	9.2	9.7	10.0	10.0	10.6	10.3	10.8	11.1
12H	8.9	9.4	9.2	9.7	9.9	10.0	10.5	10.3	10.8	11.1
4H	2H	9.0	9.6	9.3	9.9	10.1	10.8	10.4	11.0	11.2
3H	8.9	9.4	9.2	9.7	10.0	10.0	10.5	10.3	10.8	11.1
4H	8.8	9.3	9.1	9.6	9.9	9.9	10.4	10.2	10.7	11.0
6H	8.7	9.2	9.1	9.5	9.8	9.8	10.3	10.2	10.6	10.9
8H	8.7	9.1	9.0	9.4	9.8	9.8	10.2	10.1	10.5	10.9
12H	8.6	9.0	9.0	9.4	9.7	9.7	10.1	10.1	10.5	10.8
8H	4H	8.7	9.1	9.0	9.4	9.8	9.8	10.2	10.1	10.5
6H	8.6	8.9	9.0	9.3	9.7	9.7	10.0	10.1	10.4	10.8
8H	8.5	8.8	8.9	9.2	9.7	9.6	9.9	10.0	10.3	10.8
12H	8.4	8.7	8.9	9.1	9.6	9.5	9.8	10.0	10.2	10.7
12H	4H	8.6	9.0	9.0	9.3	9.7	9.7	10.1	10.1	10.5
6H	8.5	8.8	8.9	9.2	9.7	9.6	9.9	10.0	10.3	10.8
8H	8.4	8.7	8.9	9.1	9.6	9.5	9.8	10.0	10.2	10.7
Variations with the observer position at spacings (CIE Pub.117):										
S = 1.0H		+ 3.6 / - 9.2				+ 4.1 / -10.1				
1.5H		+ 6.3 / - 9.0				+ 6.8 / - 9.7				
2.0H		+ 1.6 / - 1.0				+ 4.3 / - 1.5				