

# KR20 48V DELTA



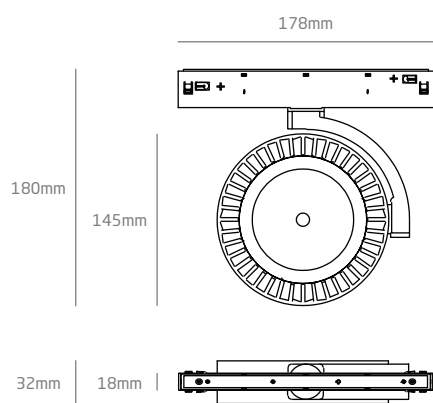
## PRODUCT

Name	KR20 48V DELTA
Barcode	176K158.10
Color	Black
Category	Magnetic track light

## LIGHT SOURCE

Type	LED
Luminous flux	1125 lm
Colour temperature	2700 K
Chromatic stability	Mac Adam Step 3
Colour Rendering Index	CRI90
Power	15 W
Efficacy	75 lm/W
LED lifespan	50 000h
Light beam angle	60°

## DIMENSION



## LIGHTING FIXTURE / ELECTRICAL DATA

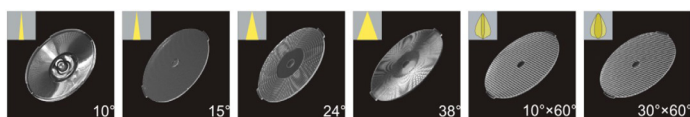
Driver	Included in adapter
Voltage	48Vdc
Frequency	50/60 Hz
Dimming	DALI (on request: Phase cut Dimmable / ON-OFF)
Electrical insulation class	II

## OTHER DATA

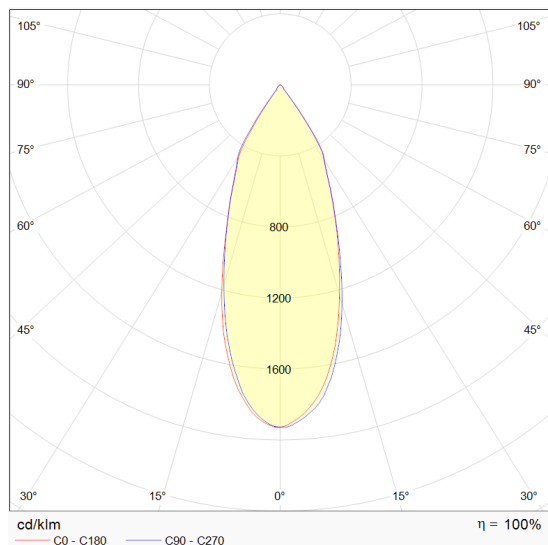
Sealing	IP20
Weight	372g
Units per package	1pcs
Material	Aluminium

## ACCESSORIES

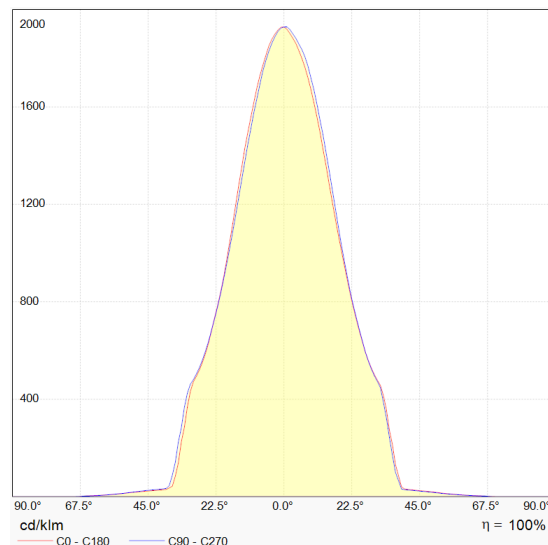
Available replacable optic ring



## POLAR DIAGRAM



## CONICAL DIAGRAM



## UNIFIED GLARE RATING - UGR

ceiling/cavity	0.7	0.7	0.5	0.5	0.3	0.7	0.7	0.5	0.5	0.3		
walls	0.5	0.3	0.5	0.3	0.3	0.5	0.3	0.5	0.3	0.3		
working plane	0.2	0.2	0.2	0.2	0.2	0.2	0.2	0.2	0.2	0.2		
Room dimensions	Viewed crosswise					Viewed endwise						
x = 2H y = 2H	2H	23.6	24.6	23.9	24.8	25.0	23.4	24.4	23.6	24.6	24.7	
	3H	25.3	26.2	25.6	26.4	26.6	25.0	26.0	25.3	26.2	26.4	
	4H	25.9	26.8	26.2	27.0	27.3	25.7	26.5	25.9	26.8	27.0	
	6H	26.3	27.2	26.6	27.4	27.7	26.0	26.8	26.3	27.1	27.3	
	8H	26.3	27.2	26.7	27.4	27.7	26.0	26.8	26.3	27.1	27.3	
	12H	26.3	27.1	26.6	27.4	27.6	25.9	26.7	26.3	27.0	27.3	
4H	2H	24.3	25.2	24.6	25.4	25.6	24.1	25.0	24.4	25.2	25.5	
	3H	26.1	26.9	26.5	27.2	27.5	25.9	26.7	26.3	27.0	27.3	
	4H	26.9	27.6	27.2	27.9	28.2	26.6	27.4	27.0	27.7	28.0	
	6H	27.3	28.0	27.7	28.3	28.7	27.0	27.7	27.4	28.0	28.4	
	8H	27.4	28.0	27.8	28.3	28.7	27.0	27.6	27.4	28.0	28.4	
	12H	27.3	27.9	27.7	28.2	28.6	27.0	27.5	27.4	27.9	28.3	
8H	4H	27.1	27.7	27.5	28.0	28.4	26.9	27.5	27.3	27.8	28.2	
	6H	27.6	28.1	28.1	28.5	29.0	27.4	27.9	27.8	28.3	28.7	
	8H	27.7	28.1	28.1	28.5	29.0	27.4	27.8	27.8	28.2	28.7	
	12H	27.6	28.0	28.1	28.5	28.9	27.3	27.7	27.8	28.1	28.6	
	12H	4H	27.1	27.6	27.5	28.0	28.4	26.9	27.4	27.3	27.8	28.2
		6H	27.6	28.1	28.1	28.5	28.9	27.4	27.8	27.8	28.2	28.7
8H		27.7	28.1	28.1	28.5	29.0	27.4	27.7	27.8	28.2	28.7	
Variations with the observer position at spacings:												
S = 1.0H	+ 0.1 / - 0.2					+ 0.2 / - 0.2						
1.5H	+ 0.1 / - 0.2					+ 0.1 / - 0.2						
2.0H	+ 0.2 / - 0.3					+ 0.2 / - 0.3						

