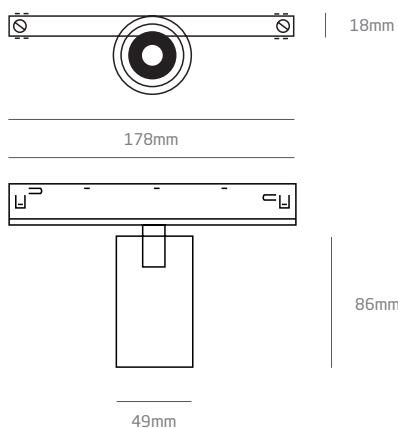


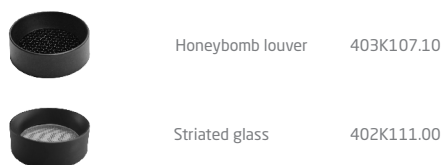
KR20 48V MINI



DIMENSION



ACCESSORIES



Name	KR20 48V MINI
Barcode	176K154.10
Color	Black
Category	Magnetic track light

PRODUCT

Type	LED
Luminous flux	368 lm
Colour temperature	3000 K
Chromatic stability	Mac Adam Step 3
Colour Rendering Index	CRI90
Power	8 W
Efficacy	46 lm/W
LED lifespan	50 000h
Light beam angle	37°

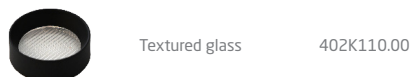
LIGHT SOURCE

LIGHTING FIXTURE / ELECTRICAL DATA

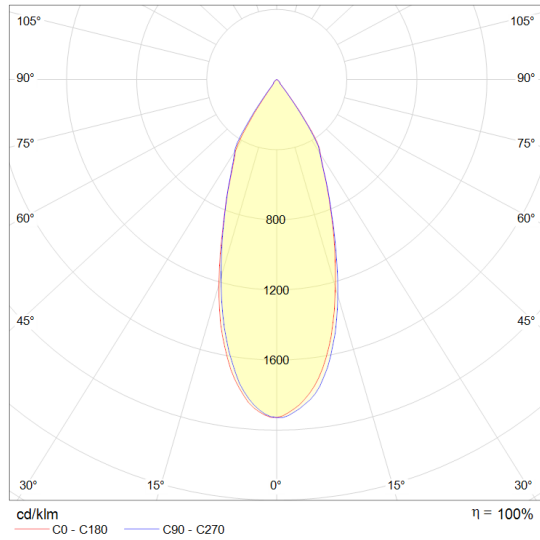
Driver	Included in adapter
Voltage	48Vdc
Frequency	50/60 Hz
Dimming	DALI (on request: ON-OFF, Phase cut Dimmable)
Electrical insulation class	II

OTHER DATA

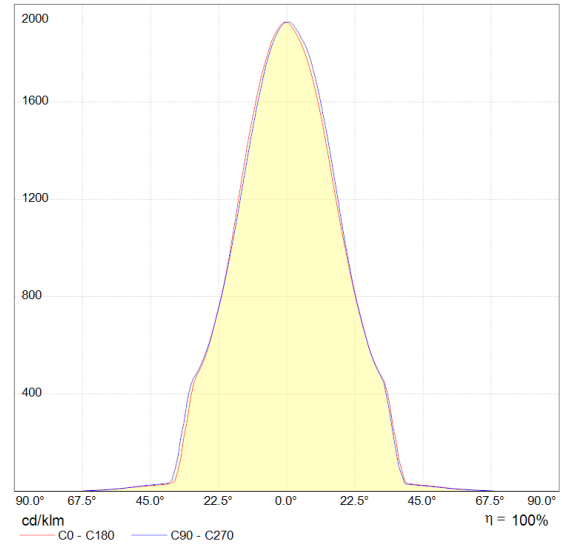
Sealing	IP20
Weight	250g
Units per package	1pcs
Material	Aluminium



POLAR DIAGRAM



CONICAL DIAGRAM



UNIFIED GLARE RATING - UGR

ceiling/cavity	0.7	0.7	0.5	0.5	0.3	0.7	0.7	0.5	0.5	0.3
walls	0.5	0.3	0.5	0.3	0.3	0.5	0.3	0.5	0.3	0.3
working plane	0.2	0.2	0.2	0.2	0.2	0.2	0.2	0.2	0.2	0.2
Room dimensions	Viewed crosswise					Viewed endwise				
x = 2H y = 2H	18.5	19.2	18.7	19.3	19.5	18.1	18.8	18.3	18.9	19.1
3H	18.3	19.0	18.6	19.2	19.4	17.9	18.6	18.2	18.8	19.0
4H	18.2	18.9	18.5	19.1	19.3	17.9	18.5	18.1	18.7	18.9
6H	18.2	18.7	18.4	19.0	19.2	17.8	18.4	18.1	18.6	18.8
8H	18.1	18.7	18.4	18.9	19.2	17.7	18.3	18.0	18.5	18.8
12H	18.1	18.6	18.4	18.9	19.1	17.7	18.2	18.0	18.5	18.8
4H 2H	18.3	18.9	18.5	19.1	19.3	17.9	18.5	18.2	18.7	18.9
3H	18.1	18.7	18.4	18.9	19.2	17.7	18.3	18.0	18.5	18.8
4H	18.0	18.5	18.4	18.8	19.1	17.6	18.1	18.0	18.4	18.7
6H	17.9	18.4	18.3	18.7	19.0	17.5	18.0	17.9	18.3	18.6
8H	17.9	18.3	18.2	18.6	19.0	17.5	17.9	17.9	18.2	18.6
12H	17.8	18.2	18.2	18.5	18.9	17.4	17.8	17.8	18.2	18.5
8H 4H	17.9	18.3	18.2	18.6	19.0	17.5	17.9	17.9	18.2	18.6
6H	17.7	18.1	18.2	18.5	18.9	17.4	17.7	17.8	18.1	18.5
8H	17.7	18.0	18.1	18.4	18.8	17.3	17.6	17.7	18.0	18.5
12H	17.6	17.9	18.1	18.3	18.8	17.2	17.5	17.7	17.9	18.4
Variations with the observer position at spacings:										
S = 1.0H	+ 3.0 / - 6.1					+ 2.8 / - 6.2				
1.5H	+ 4.2 / - 3.9					+ 3.9 / - 4.0				
2.0H	+ 4.4 / - 8.4					+ 4.4 / - 8.1				