

## Senior 40



1. Switch-off the power supply before any installation and maintenance operations
2. Installation should be carried out by a suitably qualified person in accordance with good electrical practice and the appropriate national wiring regulations.
3. Connect this lighting according to voltage and frequencies mention on driver

1. Isključite napajanje prije svake instalacije i održavanja
2. Instalaciju treba izvesti odgovarajuće kvalificirana osoba u skladu s dobrom električnom praksom i odgovarajućim nacionalnim propisima ožičenja.
3. Spojite ovu rasvjetu prema naponu i frekvenciji navedenim na napajanju

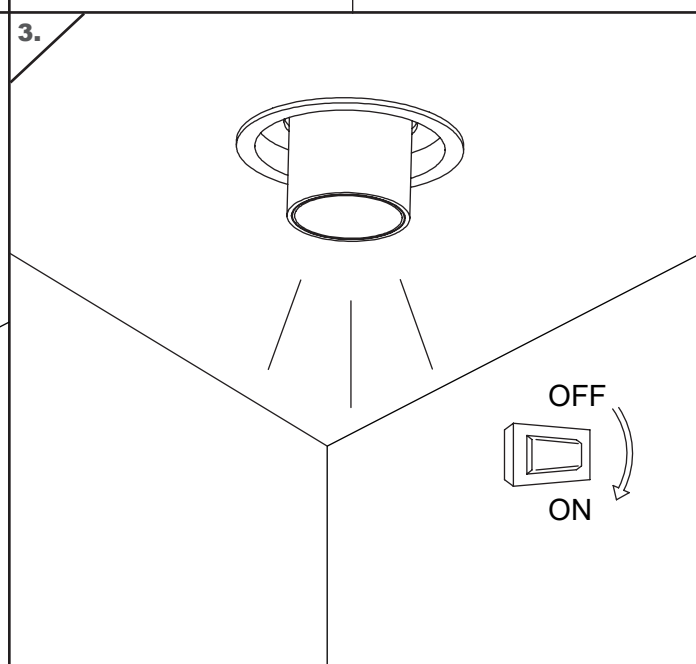
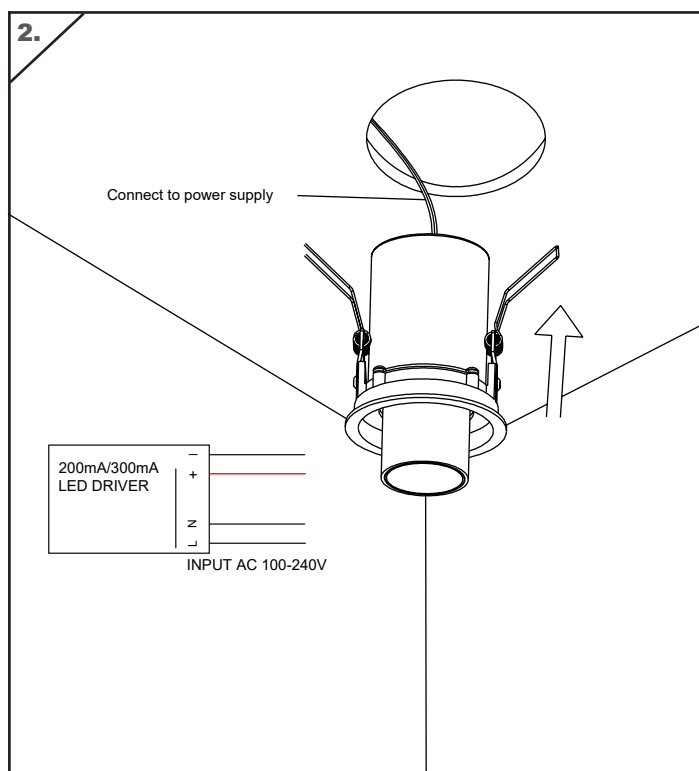
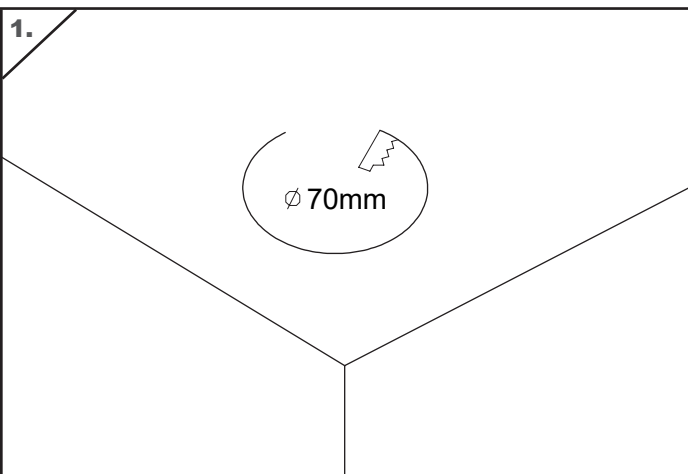
### SENIOR 40

LED DC 37V 200mA

IP20

MATERIAL: ALUMINIUM

CUT OUT: Ø70mm



#### Correct Disposal of this product



This marking indicates that this product should not be disposed with other household wastes throughout the EU. To prevent possible harm to the environment or human health from uncontrolled waste disposal, recycle it responsibly to promote the sustainable reuse of material resources. To return your used device, please use the return and collection systems or contact the retailer where the product was purchased. They can take this product for environmental safe recycling.