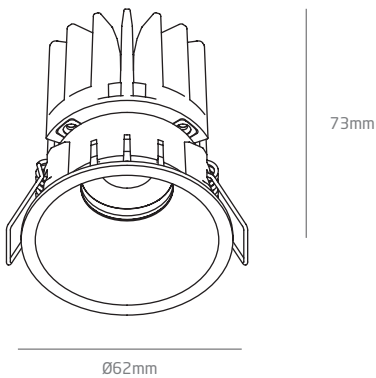




## DIMENSION



Name	NED
Barcode	152K583.10
Color	Black
Category	Ceiling Recessed

## PRODUCT

Type	LED
Luminous flux	525-945 lm
Colour temperature	3000K
Chromatic stability	Mac Adam Step 3
Colour Rendering Index	CR190
Power	5-9W
Efficacy	105 lm/W
LED lifespan	50 000h (L80B20)
Light beam angle	36° (on request: 16°, 24°)

## LIGHT SOURCE

Driver	Included - External
Voltage	36 Vdc
Constant current	125-250mA
Frequency	50/60 Hz
Dimming	ON-OFF (on request: Phase cut Dimmable / DALI )
Electrical insulation class	II

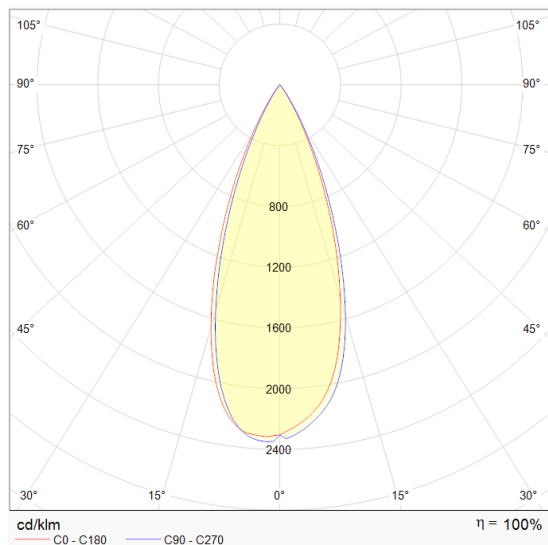
## LIGHTING FIXTURE / ELECTRICAL DATA

Sealing	IP20
Recess measurements	Ø55mm
Units per package	1pcs
Material	Aluminium

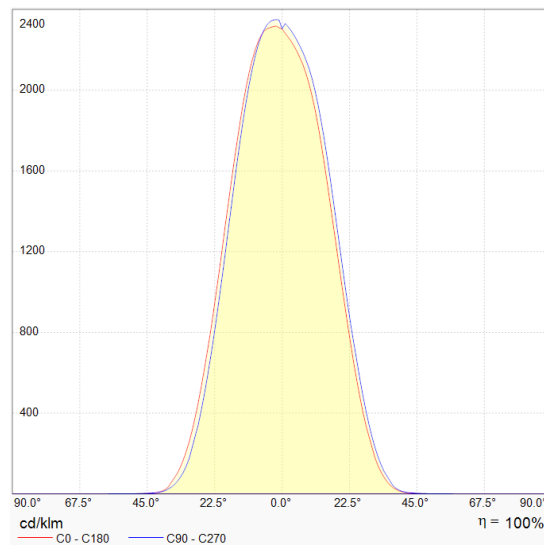
## OTHER DATA



## POLAR DIAGRAM



## CONICAL DIAGRAM



## UNIFIED GLARE RATING - UGR

ceiling/cavity	0.7	0.7	0.5	0.5	0.3	0.7	0.7	0.5	0.5	0.3		
walls	0.5	0.3	0.5	0.3	0.3	0.5	0.3	0.5	0.3	0.3		
working plane	0.2	0.2	0.2	0.2	0.2	0.2	0.2	0.2	0.2	0.2		
<b>Room dimensions</b>		<b>Viewed crosswise</b>					<b>Viewed endwise</b>					
x = 2H	y = 2H	13.8	14.6	14.0	14.7	14.9	12.1	12.8	12.3	13.0	13.1	
	3H	13.7	14.4	13.9	14.5	14.7	11.9	12.6	12.2	12.8	13.0	
	4H	13.6	14.2	13.9	14.5	14.7	11.8	12.5	12.1	12.7	12.9	
	6H	13.5	14.1	13.8	14.4	14.6	11.8	12.4	12.0	12.6	12.8	
	8H	13.5	14.1	13.8	14.3	14.6	11.7	12.3	12.0	12.5	12.8	
	12H	13.4	14.0	13.7	14.2	14.5	11.7	12.2	12.0	12.5	12.8	
	4H	2H	13.6	14.2	13.9	14.5	14.7	11.8	12.5	12.1	12.7	12.9
		3H	13.4	14.0	13.7	14.2	14.5	11.7	12.2	12.0	12.5	12.8
		4H	13.3	13.8	13.7	14.1	14.4	11.6	12.1	11.9	12.4	12.7
		6H	13.2	13.7	13.6	14.0	14.3	11.5	11.9	11.8	12.2	12.6
		8H	13.2	13.6	13.6	13.9	14.3	11.4	11.8	11.8	12.2	12.5
		12H	13.1	13.5	13.5	13.9	14.3	11.4	11.7	11.8	12.1	12.5
	8H	4H	13.2	13.6	13.6	13.9	14.3	11.4	11.8	11.8	12.2	12.5
		6H	13.1	13.4	13.5	13.8	14.2	11.3	11.7	11.7	12.0	12.5
		8H	13.0	13.3	13.4	13.7	14.2	11.2	11.6	11.7	12.0	12.4
		12H	12.9	13.2	13.4	13.6	14.1	11.2	11.4	11.6	11.9	12.4
<b>Variations with the observer position at spacings (CIE Pub.117):</b>												
S = 1.0H		+ 5.2 / -23.7					+ 4.6 / -22.1					
	1.5H	+ 7.9 / -20.9					+ 7.3 / -18.9					
	2.0H	+ 7.8 / -12.9					+ 7.2 / -11.6					

