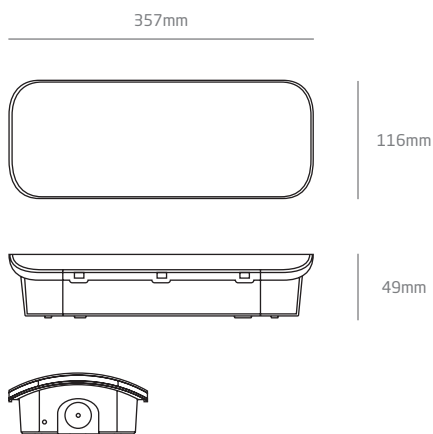




DIMENSION



Name	BRAVE
Barcode	351K103.11
Color	White
Category	Emergency lighting
Installation type	Surface Mounted

PRODUCT

Type	LED
Luminous flux	150 lm
Power	1 W
Colour temperature	5000K
Optic	Open space
Mode	Maintained / Non-Maintained
Autonomy	3h
Charging time	24h
Test	ST (Self Test)

LIGHT SOURCE

LIGHTING FIXTURE / ELECTRICAL DATA

Battery	Included
Battery type	LiFePO4 3.2V 1500mAh
Voltage	230V
Frequency	50/60 HZ

OTHER DATA

Sealing	IP65
Pictogram	Included / 4 directions
Visibility	20m
Units per package	1
Material	Polycarbonate
Guarantee	5 Years
Battery Guarantee	2 Years

