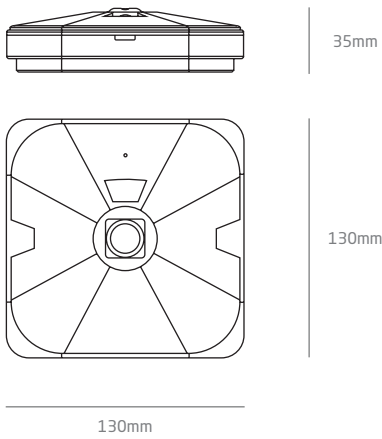




DIMENSION



Name	ECSL
Barcode	351K105.11
Color	White
Category	Emergency lighting
Installation type	Surface Mounted

PRODUCT

Name	ECSL
Barcode	351K105.11
Color	White
Category	Emergency lighting
Installation type	Surface Mounted

Type	LED
Luminous flux	300 lm
Power	3 W
Colour temperature	6000K
Optic	Open space
Mode	Non-Maintained
Autonomy	3h
Charging time	24h
Test	ST (Self Test)

LIGHT SOURCE

Type	LED
Luminous flux	300 lm
Power	3 W
Colour temperature	6000K
Optic	Open space
Mode	Non-Maintained
Autonomy	3h
Charging time	24h
Test	ST (Self Test)

LIGHTING FIXTURE / ELECTRICAL DATA

Battery	Included - External
Battery type	LiFePO4 3.2V 1500mAh
Voltage	230V
Frequency	50/60 HZ

Battery	Included - External
Battery type	LiFePO4 3.2V 1500mAh
Voltage	230V
Frequency	50/60 HZ

OTHER DATA

Sealing	IP20
Units per package	1
Material	Polycarbonate
Guarantee	5 Years
Battery Guarantee	2 Years

Sealing	IP20
Units per package	1
Material	Polycarbonate
Guarantee	5 Years
Battery Guarantee	2 Years

