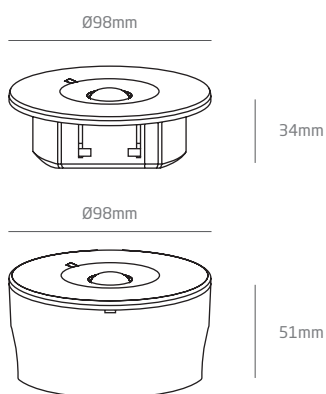




DIMENSION



MONTAGE TYPE



Surface mounting kit

PRODUCT

Name	GLORY
Barcode	351K200.11
Color	White
Category	Emergency lighting
Installation type	Ceiling Recessed

LIGHT SOURCE

Type	LED
Luminous flux	150 lm
Power	1W
Colour temperature	5000K
Optic	Open space / Corridor
Mode	Non-Maintained
Autonomy	3h
Charging time	24h
Test	ST (Self Test)

LIGHTING FIXTURE / ELECTRICAL DATA

Battery	Included - External
Battery type	LiFePO4 3.2V 1500mAh
Voltage	230V
Frequency	50/60 HZ

OTHER DATA

Sealing	IP20
Recess measurements	Ø75mm
Units per package	1
Material	Polycarbonate
Guarantee	5 Years
Battery Guarantee	2 Years
Additional Accessories	Surface mounting kit

