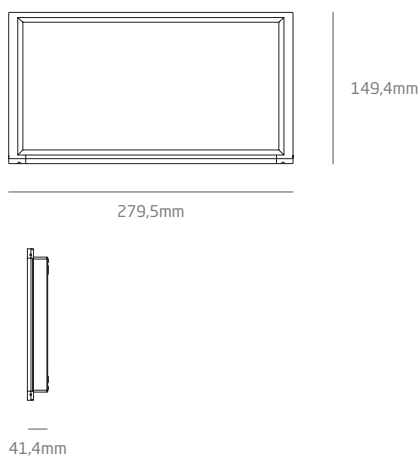




DIMENSION



Name	GUARDIAN
Barcode	351K104.11
Color	White
Category	Emergency lighting
Installation type	Surface Mounted

PRODUCT

Type	LED
Luminous flux	60 lm
Power	1W
Colour temperature	5000K
Mode	Maintained / Non-Maintained
Autonomy	3h
Charging time	24h
Test	ST (Self Test)

LIGHT SOURCE

Battery	Included - External
Battery type	LiFePO4 3.2V 1500mAh
Voltage	230V
Frequency	50/60 HZ

LIGHTING FIXTURE / ELECTRICAL DATA

Sealing	IP20
Pictogram	Included / 4 directions
Visibility	25m
Kit for Recess Montage	On request
Units per package	1
Material	Polycarbonate
Guarantee	5 Years
Battery Guarantee	2 Years

OTHER DATA

