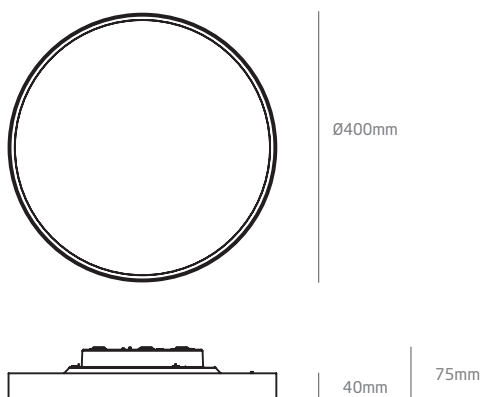




## DIMENSION



## PRODUCT

Name	LOBEL 400
Barcode	172K600.10 / 172K600.11
Color	Black / White
Category	Surface mounted

## LIGHT SOURCE

Type	LED
Luminous flux	3400-4000 lm
Colour temperature	3000K - 3500K - 4000K
Chromatic stability	Mac Adam Step 3
Colour Rendering Index	CR190
Power	34-40 W
Efficacy	100 lm/W
LED lifespan	60 000h (L80B20)
Light beam angle	120°

## LIGHTING FIXTURE / ELECTRICAL DATA

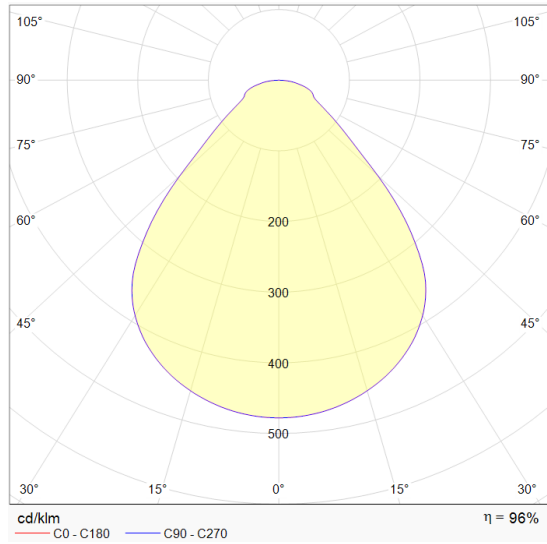
Driver	Included
Power control	DIP switch (900mA-1050mA)
Voltage	230V
Frequency	50/60 Hz
Dimming	ON-OFF
Electrical insulation class	I

## OTHER DATA

Sealing	IP40
Units per package	1pcs
Material	Aluminium
Diffuser material	Polycarbonate
Diffuser type	Prismatic



POLAR DIAGRAM



CONICAL DIAGRAM

